

Service Data

Vickers®

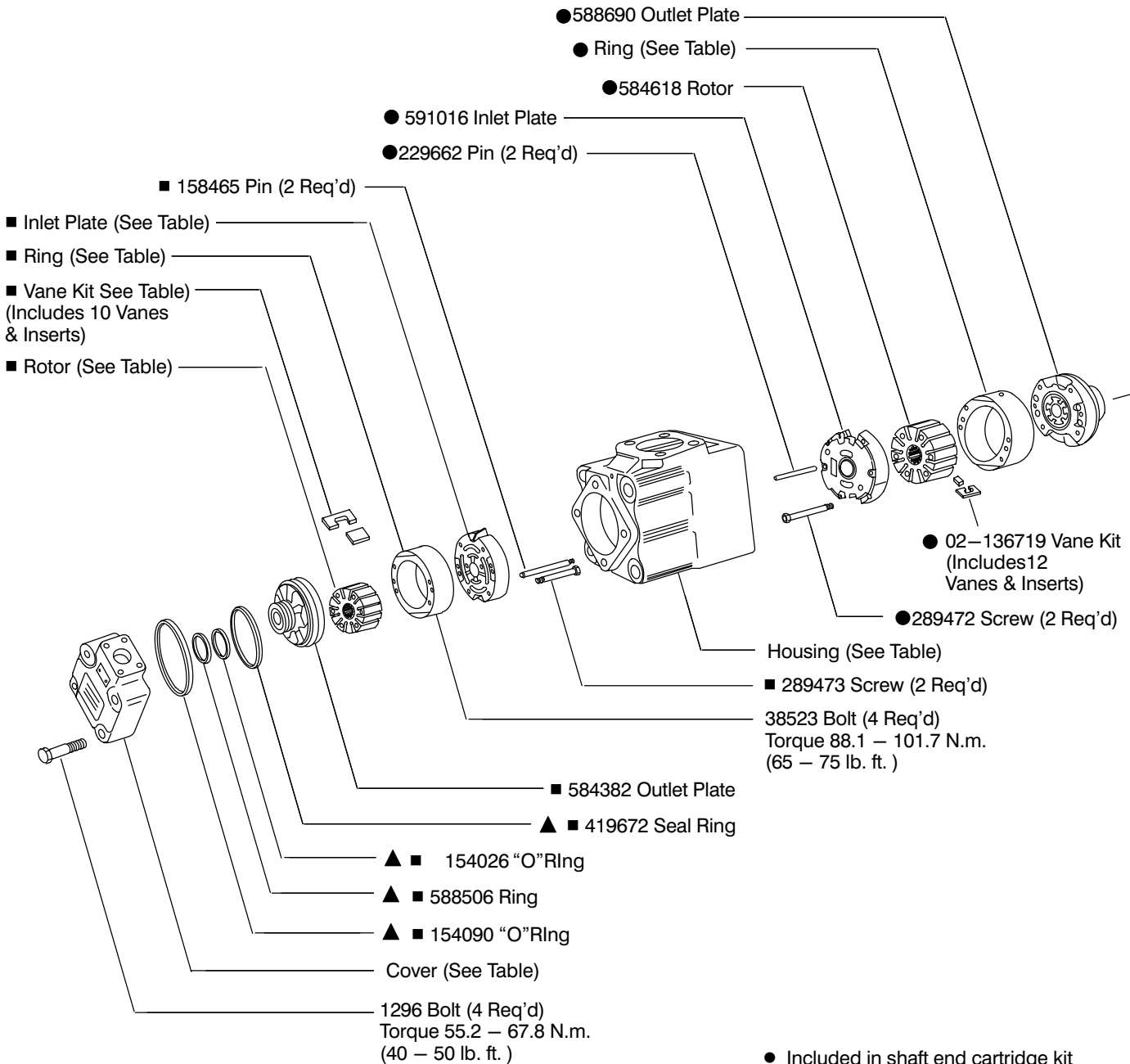
Vane Pumps



Vane Type Double Pump

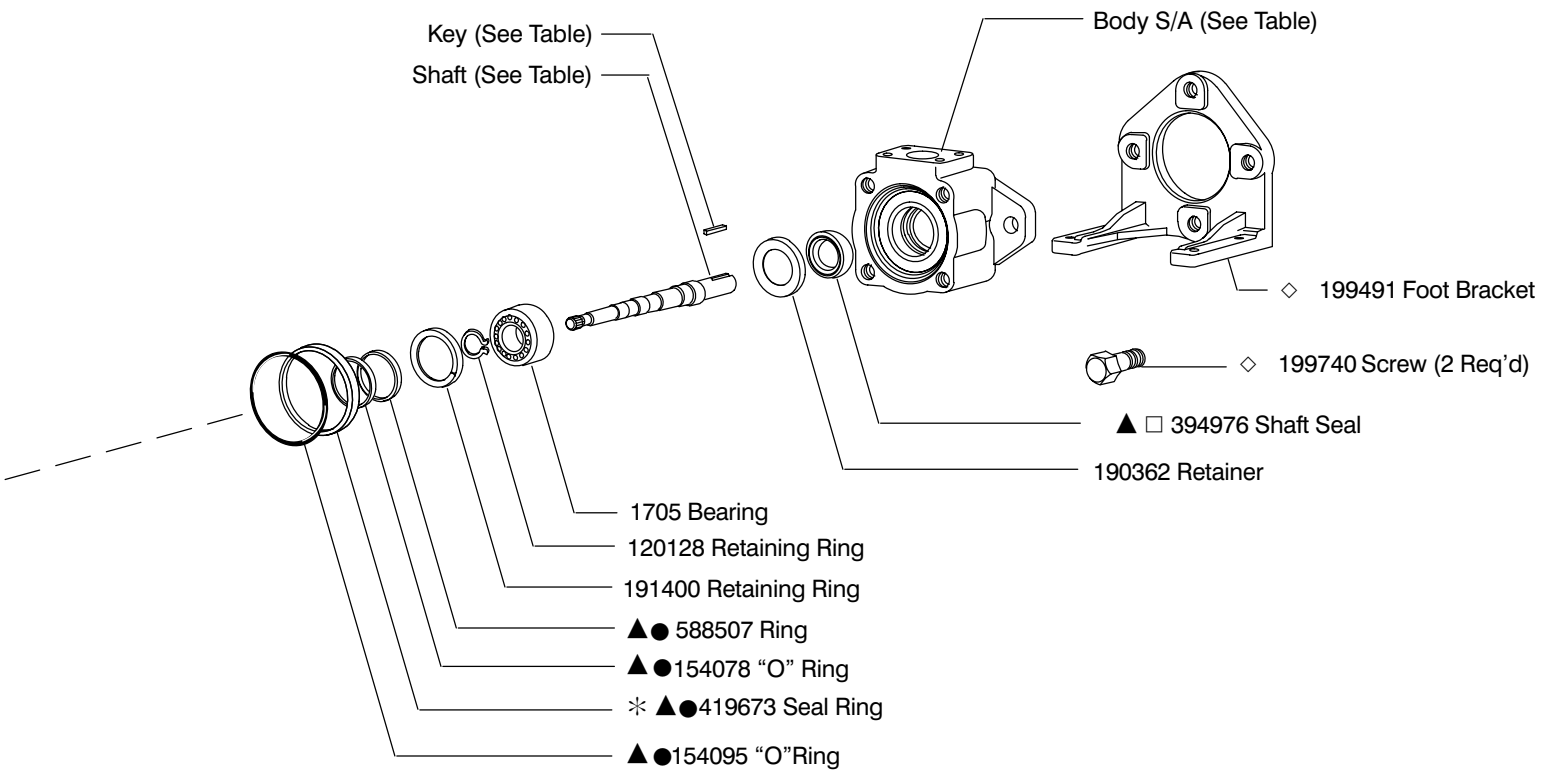
(F3)–2520V(M)–**A(M)**(F)–**–22–*

MODEL	■ ROTOR	■ VANE KIT	■ RING	■ INLET PLATE	Cover End	Cover End
					■ CART. KIT	■ F3 CART. KIT
2520V***2	402690	02-136720	388683	584383	02-102506	02-102512
2520V***5			333624		02-102507	02-102513
2520V***8			333625		02-102508	02-102514
2520V***11	403539	02-136721	333626	584384	02-102509	02-102515
2520V***12			353901		02-102510	02-102516
2520V***14			353902		02-102511	02-102517



- Included in shaft end cartridge kit
- Included in cover end cartridge kit
- ▲ Included in seal kit 922856
F3 equivalent seal kit 919303
- ◇ Included in foot bracket kit FB-B-10
- Assemble seal with spring loaded sealing member towards bearing. Seals to be completely wetted with oil prior to assembly.
- * Install 419673 sealing ring into body, then install cartridge kit.

MODEL	● RING	Shaft End ● CART KIT	Shaft End ● F3 CART KIT
2520V12	584610	02-102532	02-102540
2520V14	584612	02-102533	02-102541
2520V17	584614	02-102534	02-102542
2520V21	584616	02-102535	02-102543

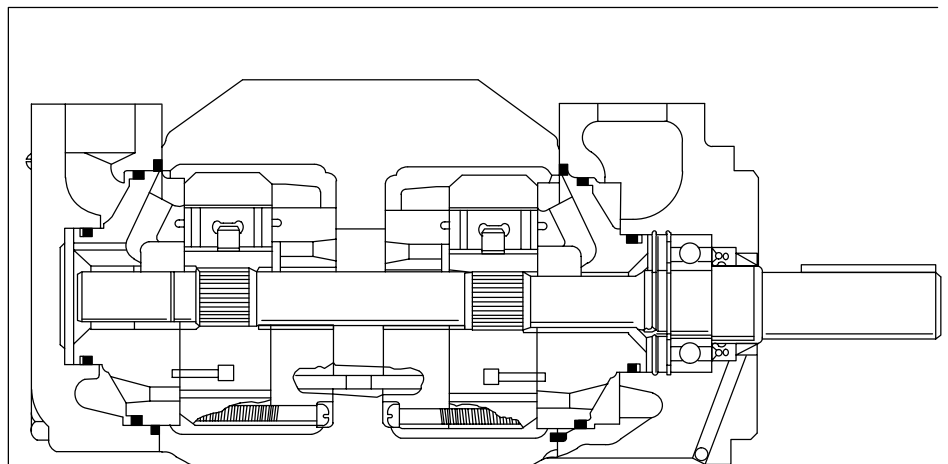


MODEL	COVER	HOUSING	BODY S/A
2520V**A	250824	251263	942353
2520V**C	252504		942378
2520V**E	252504		942353
2520VM**A	250824		02-136917
2520VM**AM	478510	478505	02-136918

SHAFT	TYPE	KEY
254964	(1) keyed	9955
254848	(11) splined	—
419083	(86) keyed	3418
860093	(192N) keyed	472270

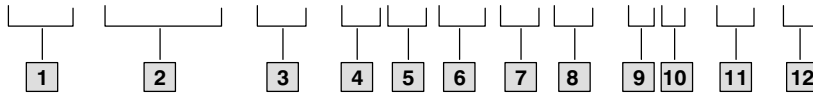
NOTE:

For satisfactory service life of these components in industrial applications, use full flow filtration to provide fluid which meets ISO cleanliness code 16/13 or cleaner. OFP, OFR, and OFRS series filters are recommended.



Model Code

(F3) - 2520V - (M) - ** A (M) ** (F) - * * - 22 - *



1 Special seals

2 Series designation

Displacements cm^3/r (in^3/r)

Model	Shaft end	Cover end
2520V	40 – 67 (2.47–4.13)	18 – 45 (1.1 – 2.22)

3 Pilot designation

M – Metric per ISO 3019/2 100A2HW
Omit – Standard pilot

4 Geometric displacement

Shaft end pump

(Rated capacity (USgpm) at 1200 rpm, 6.9 bar (100 psi))

Frame size	Code	cm^3/r	in^3/r
2520V	12	40	2.47
	14	45	2.78
	17	55	3.39
	21	67	4.13

5 Port connections

A – SAE 4 bolt flange

6 Port connection modifier

M – Metric port connection (4 bolt flange)
Omit – Inch thread port connection (4 bolt flange)

7 Geometric displacement

Cover end pump

(Rated capacity (USgpm) at 1200 rpm, 6.9 bar (100 psi))

Frame size	Code	cm^3/r	in^3/r
2520V	2	6.5	0.40
	5	18	1.10
	8	27	1.67
	11	36	2.22
	12	40	2.47
	14	45	2.78

8 Mounting

F – Foot mounting
Omit – Flange mounting

9 Shaft

1 – Straight keyed
11 – Splined
86 – Heavy duty straight keyed
192N – Straight keyed (M pilot only)

10 Port orientation

(Viewed from cover end of pump)

With no. 1 outlet opposite inlet

AA – No. 2 outlet 135° CCW from inlet
AB – No. 2 outlet 45° CCW from inlet
AC – No. 2 outlet 45° CW from inlet
AD – No. 2 outlet 135° CW from inlet

With no. 1 outlet 90° CCW from inlet

BA – No. 2 outlet 135° CCW from inlet
BB – No. 2 outlet 45° CCW from inlet
BC – No. 2 outlet 45° CW from inlet
BD – No. 2 outlet 135° CW from inlet

With no. 1 outlet inline with inlet

CA – No. 2 outlet 135° CCW from inlet
CB – No. 2 outlet 45° CCW from inlet
CC – No. 2 outlet 45° CW from inlet
CD – No. 2 outlet 135° CW from inlet

With no. 1 outlet 90° CW from inlet

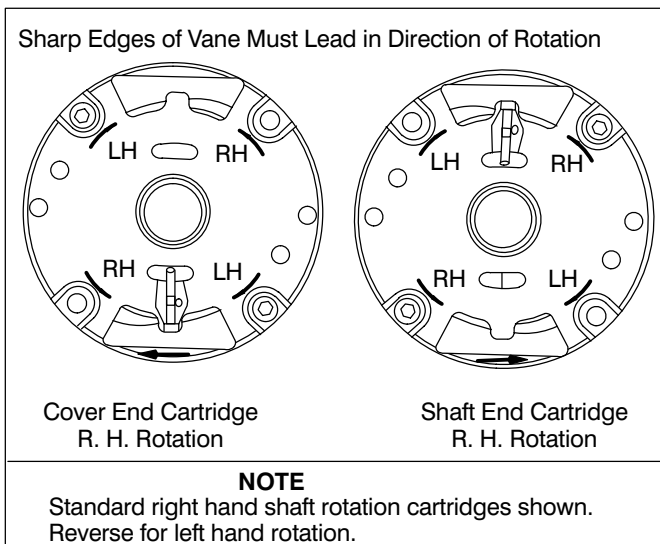
DA – No. 2 outlet 135° CCW from inlet
DB – No. 2 outlet 45° CCW from inlet
DC – No. 2 outlet 45° CW from inlet
DD – No. 2 outlet 135° CW from inlet

11 Design

12 Rotation

(Viewed from shaft end of pump)

L – Left hand for counterclockwise
R – Right hand for clockwise



NOTE

To reverse cartridge kit rotation, remove the two screws and reverse the location of the inlet support plate and the outlet support plate. Reinstall the two screws hand tight. Use pump cover to align all sections of the cartridge. Carefully remove the cover and tighten the screws.

When ordering spare cartridge parts, it is recommended they be obtained in cartridge kits. Kits are assembled and tested for either right or left hand rotation. If left hand rotation is required, it should be specified on parts order by adding suffix "L" to cartridge kit number.