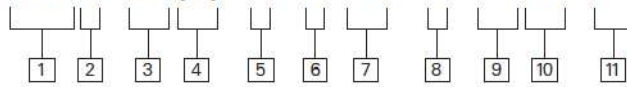


Model Code

CBV1/2-10

CBV* - 10 (V) - * - * * - * - **/** - 00**



1 Valve function

CBV - Counterbalance valve

2 Pilot ratio

1 - 4:1

2 - 10:1

3 Valve size

10 - Size 10

4 Seals

Blank - Buna-N

V - Viton

5 Adjustment options

S - Screw with locknut

C - Cap over screw

K - Hand knob

6 Valve Body

O - Cartridge only

I - Inline body

N - Close coupled, nipple mounting

G - Gasket mounted, single

D - Dual counterbalance, line mounted

M - Dual counterbalance, line mounted with integral shuttle valve

P - Dual counterbalance, gasket mounted

H - Dual counter balance, bolt on manifold for H or T series motor

2K - Dual counter balance, bolt on manifold for 2000 series motor

7 Housing port sizes

PORT SIZE VALVE BODY CODES

PORT SIZE	I Aluminum Steel		N/G/P Aluminum Steel		D/M Aluminum Steel		H/2K Aluminum
	A6H*	S6T	A6H	A6T	A6H	S6T	-
SAE 6	A6H*	S6T	A6H	A6T	A6H	S6T	-
SAE 8	A8H	S8T	-	-	A8H	S8T	-
SAE 10	-	S10T	-	-	A10H	S10T	A10H
1/4" BSPP	A2G	-	-	-	A2G	S2G	-
3/8" BSPP	A3G*	S3G	A3G	A3G	A3G	S3G	-
1/2" BSPP	-	S4G	-	-	A4G	S4G	-

* Light Duty Housing is available, to specify, substitute H or G with T or B respectively.

For housing part numbers and dimensions see section J.

Note -P,H, 2K, D and M bodies contain two CBV valves.

8 Free flow crack pressure

A - 1,4 bar (20 psi) (standard)

B - 0,28 bar (4 psi) (anti cavitation)

C - 1.4 bar (20 psi) with low leak pilot *

D - 0.28 bar (4 psi) with low leak pilot *

* Low leak pilot is only available on CBV2-**.

Only apply B and D options if required in your application, these are not preferred options.

CBV Valves should not be applied with closed center directional valves.

9 Pressure range

30 - 62-210 bar (900-3000 psi)

50 - 186-350 bar (2700-5000 psi)

10 Pressure setting (optional)

(Specified by customer in 100 psi increments) for example:

20 - 140 bar (2000 psi)

35 - 240 bar (3500 psi)

11 Special features

00 - None

(Only required if valve has special features, omit if 00)

SS - 316 Stainless Steel external components

Note: SS option available only for CBV1-10

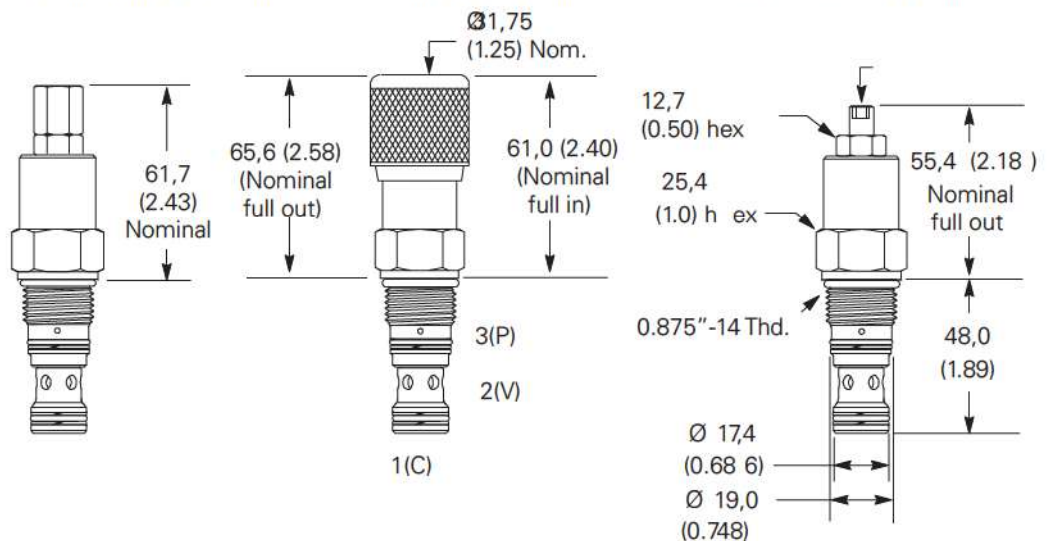
Dimensions

mm (inch)

"C" Adjustment (Cap over screw)

"K" Adjustment (Hand knob)

"S" Adjustment (Screw w/locknut)



Torque cartridge in housing:

A - 47-54 Nm (35-40 ft.lbs)

S - 68-75 Nm (50-55 ft.lbs)

Note

Turn screw or knob clockwise to reduce pressure setting and release load.